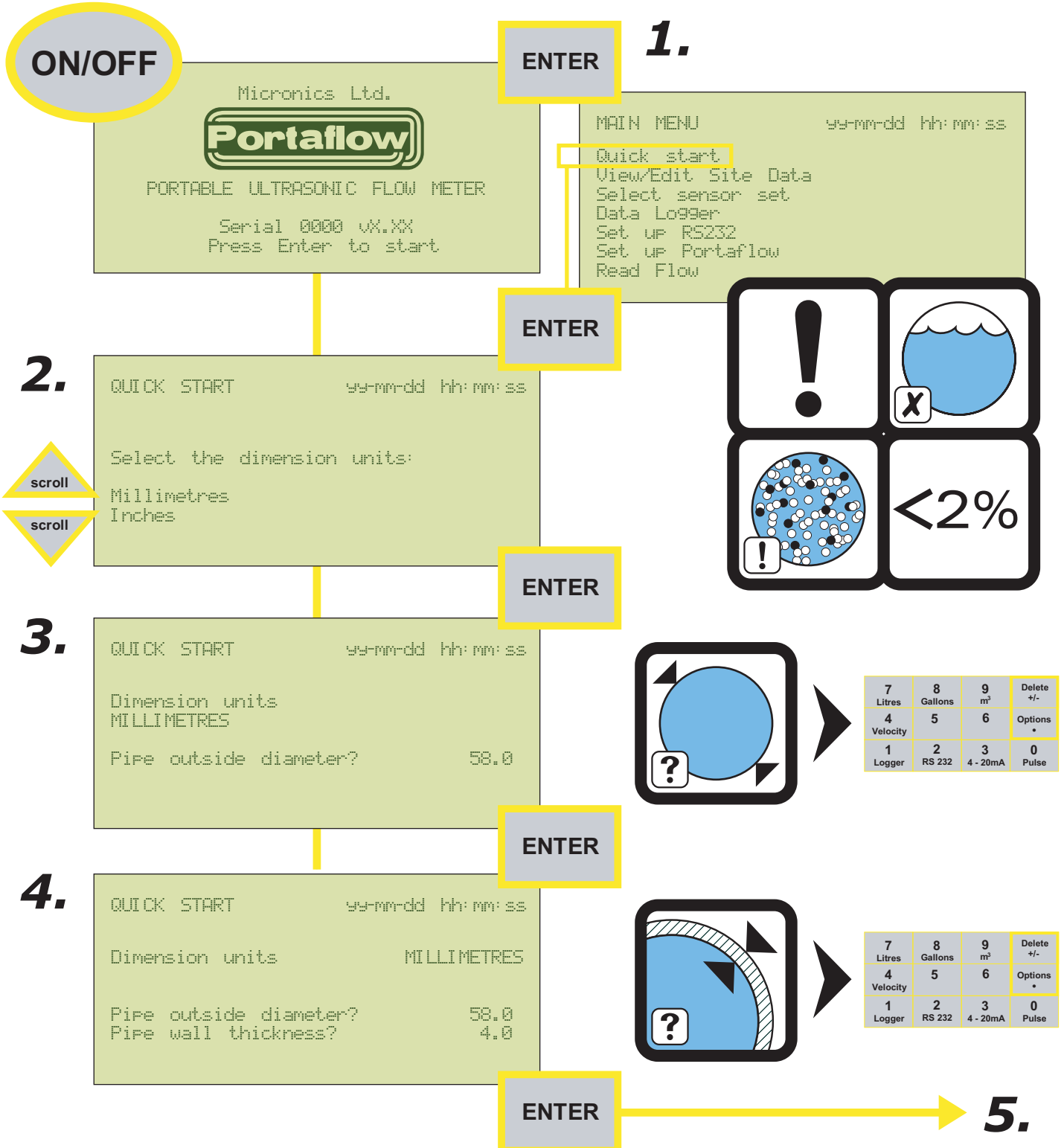


PORTAFLOW 300

Transit time portable flow meter



Quick Start (setup)



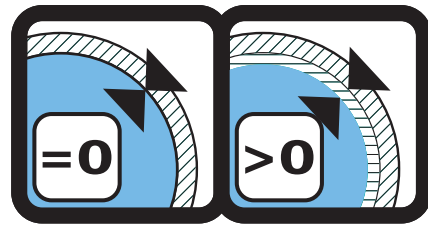
5.

```

QUICK START          yy-mm-dd hh:mm:ss

Dimension units      MILLIMETRES

Pipe outside diameter?  58.0
Pipe wall thickness?    4.0
Pipe lining thickness   0.0
  
```



6.

```

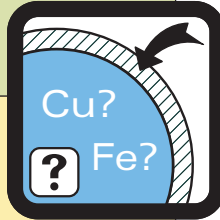
QUICK START          yy-mm-dd hh:mm:ss

Select pipe wall material:

Mild Steel
S'tless Steel 316
S'tless Steel 319
Plastic

Cast Iron
Ductile Iron
Copper
Brass
Concrete
Glass
Other (m/s)
  
```

ENTER



ENTER

7 Litres	8 Gallons	9 m ³	Delete +/-
4 Velocity	5	6	Options •
1 Logger	2 RS 232	3 4 - 20mA	0 Pulse

ENTER

6b.

```

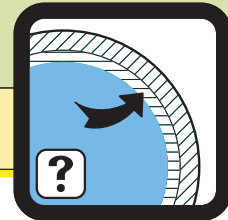
QUICK START          yy-mm-dd hh:mm:ss

Select pipe lining material:

Steel
Rubber
Glass
Epoxy

Concrete
Other (m/s)
  
```

ENTER



7.

```

QUICK START          yy-mm-dd hh:mm:ss

Select fluid type:

Water
Glycol/water 50/50
Lubricating oil
Diesel oil
Freon

Measure
Other (m/s)
  
```

ENTER



8.

```

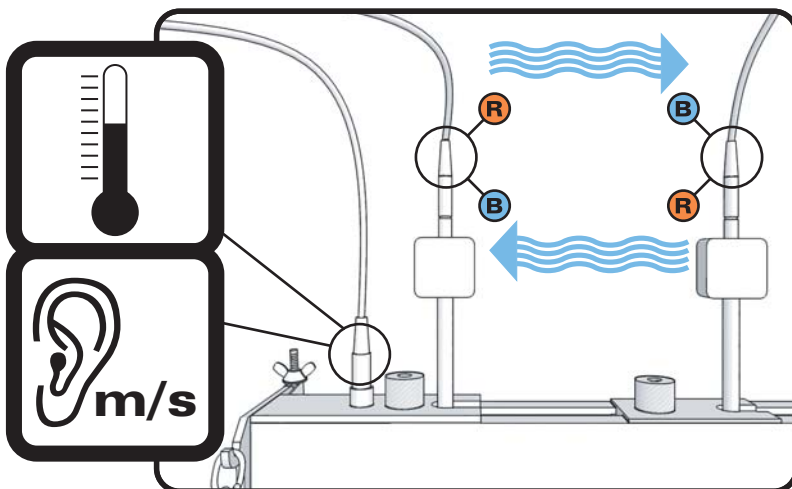
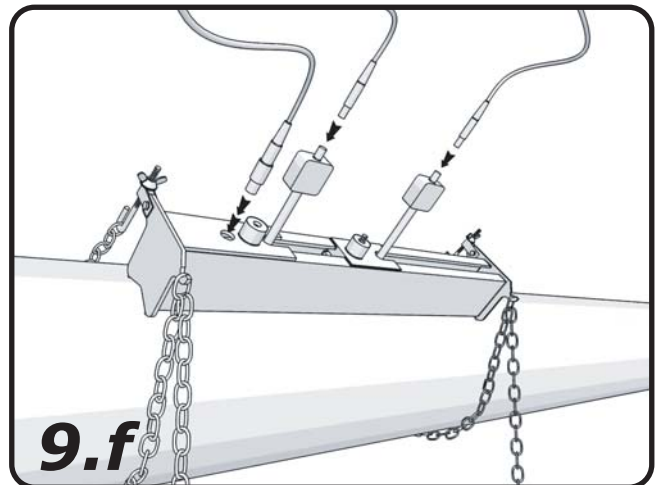
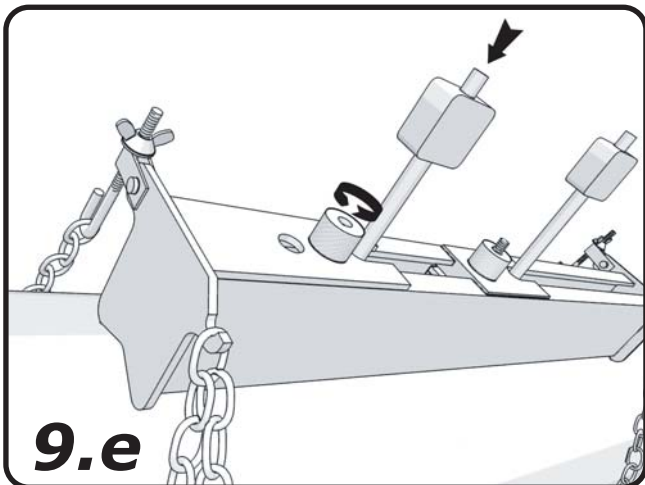
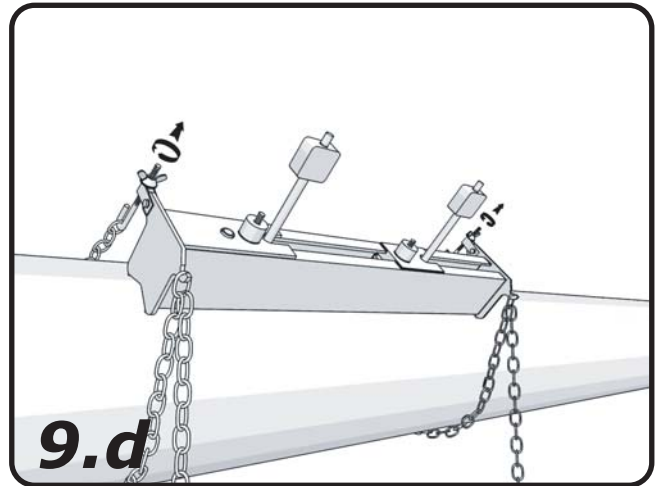
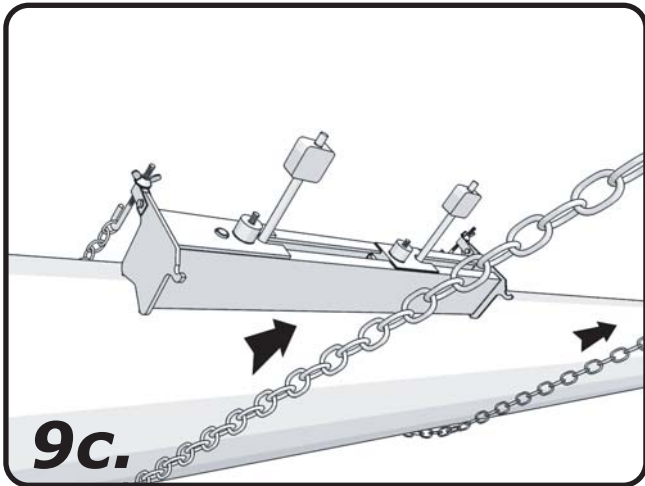
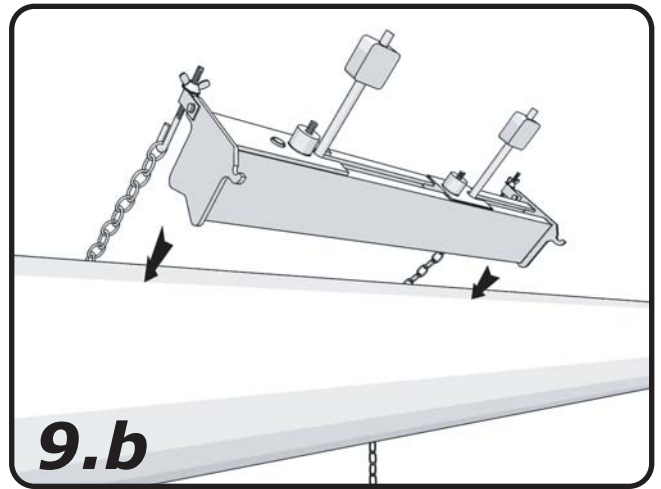
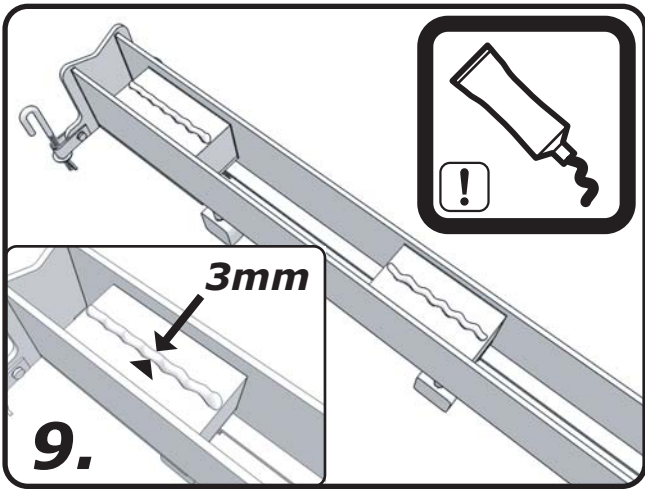
ATTACH SENSORS      yy-mm-dd hh:mm:ss

Attach sensor set A in REFLEX mode
(RED connector upstream)
Approx. max. flow    7.20m/s

Press ENTER to continue
or SCROLL to select another sensor
  
```

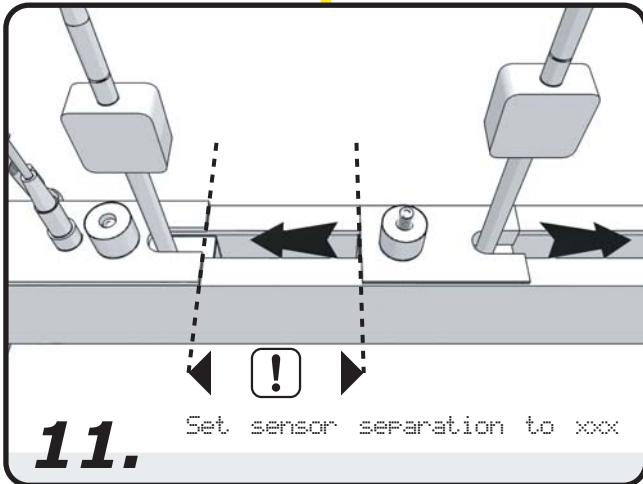
ENTER

9.



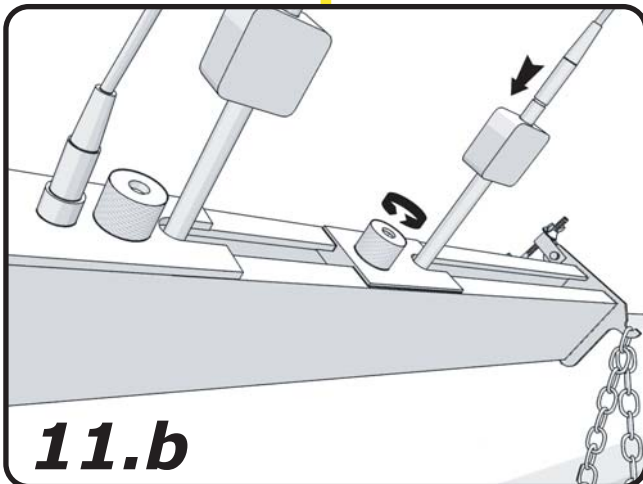
10.

```
ATTACH SENSORS      yy-mm-dd hh:mm:ss
FLUID TEMPERATURE (°C)    20.0
Set sensor separation to  34.0
Press ENTER to continue
```



11.

Set sensor separation to xxx



11.b

12.

```
READ FLOW      yy-mm-dd hh:mm:ss
(ERROR MESSAGES APPEAR HERE)

Battery
100%
Signal
83%
Temp      + Total    1564 1
20°      - Total    0 1
```

911.0 1/m